



SBS Exhaust Fan – 12" x 12"

Hydrogen Gas Ventilation for Battery Rooms

Meet battery room ventilation safety requirements and create an automated hydrogen gas ventilation system using the SBS Exhaust Fan in conjunction with the SBS-H2 hydrogen gas detector. This 12" x 12" fan automatically vents out dangerous hydrogen gas that builds up in battery charging rooms/areas.

The flexible fan design, featuring a sliding collar, works on walls between 1.5" and 8" thick, allowing for easy installation. The fan is weather resistant due to fixed external louvers with motor-driven internal louvers.

Benefits

- When connected with the SBS-H2 relays, the hydrogen ventilation process is automated and does not require monitoring by personnel
- Inexpensive protection that may help to reduce insurance premiums
- Energy efficient, operating only when triggered by SBS-H2 detector
- Meets NFPA Class I Div. 2 "B"
- Can be installed to comply with the National Electric Code (NEC) Section 480.9 (A) and IEEE Std. 450 for ventilation of battery rooms

Features

- 850 CFM wall-mounted ventilation fan for use with SBS-H2 hydrogen detector
- Fixed external rain louvers
- Motorized internal louvers are locked open when fan is operating, locked closed when fan is stopped
- Non-sparking and contactless, suitable for areas with potential H2 buildup
- LED status display
- Simple installation with sliding collar

AC Power Wiring

AC Power (Red and White)

Fan Control (Black and Orange)

DC Power Wiring

DC Power (Red and Black)

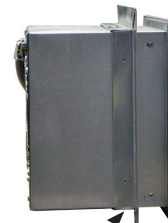
Fan Control (Orange and White)



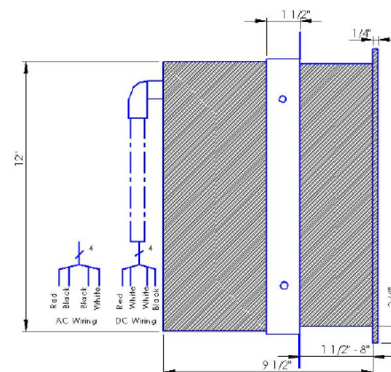
Works with SBS-H2 hydrogen detector – the detector's internal relay will activate exhaust fan at 1% H₂ concentration



LED indicator



Sliding collar



Specifications	
Power Requirements	110 Vac, .67 Amps (80 Watts) 24 Vdc, 3.5 Amps 48 Vdc, 1.7 Amps
Size	12" L x 12" W x 9.5" D (305 x 305 x 241 mm); 18 lb. (8.2kg)
Mounting	Rough opening: 12.25" x 12.25" (311 x 311 mm) Wall thickness: 1.5" to 8" (38 x 203 mm)
Airflow	850 CFM

Ordering Information	
Part No.	Description
H2FAN-12x12-110VAC	12" x 12" Exhaust Fan, 110 Vac Input
H2FAN-12x12-24VDC	12" x 12" Exhaust Fan, 24 Vdc Input
H2FAN-12x12-48VDC	12" x 12" Exhaust Fan, 48 Vdc Input