



CellSPY Tab Washer Installation Guide

V1.5 - January 20, 2023

WWW.EMSYS-DESIGN.COM

Instructions for VRLA batteries

THE TAB

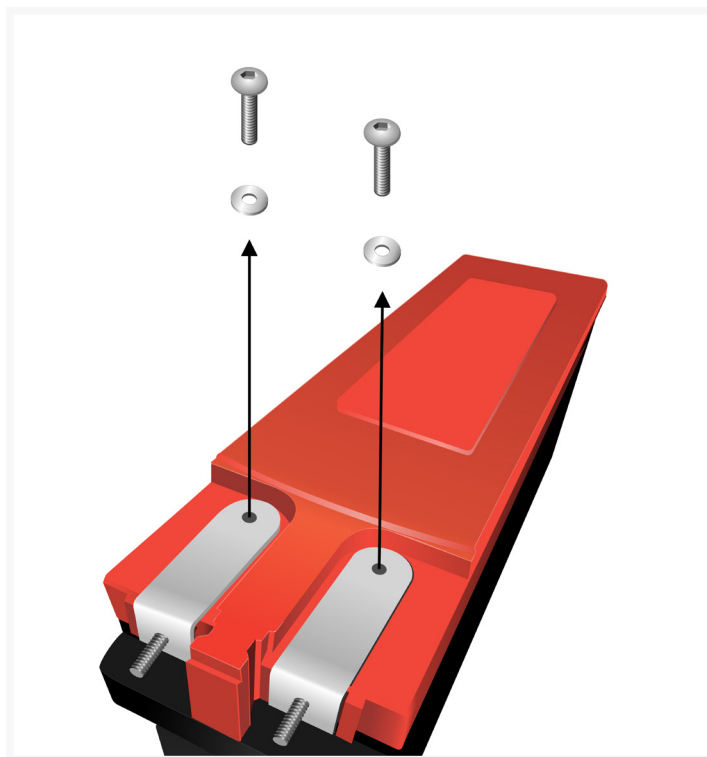
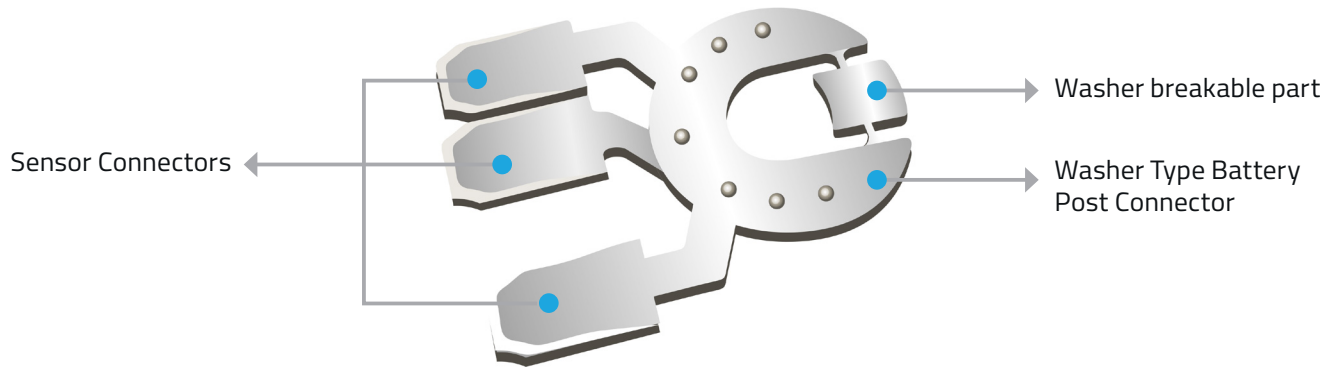


Fig. 1

STEP 1

Remove the fastening hardware from the top battery posts.

STEP 2

Align the Emsys Tabs with the top battery posts and put the washer/screw through the Tab.

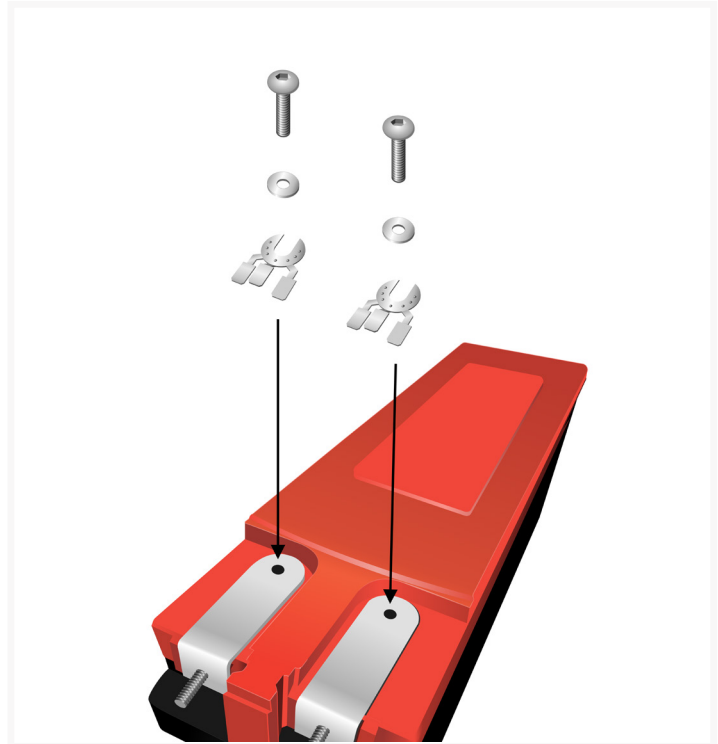


Fig. 2

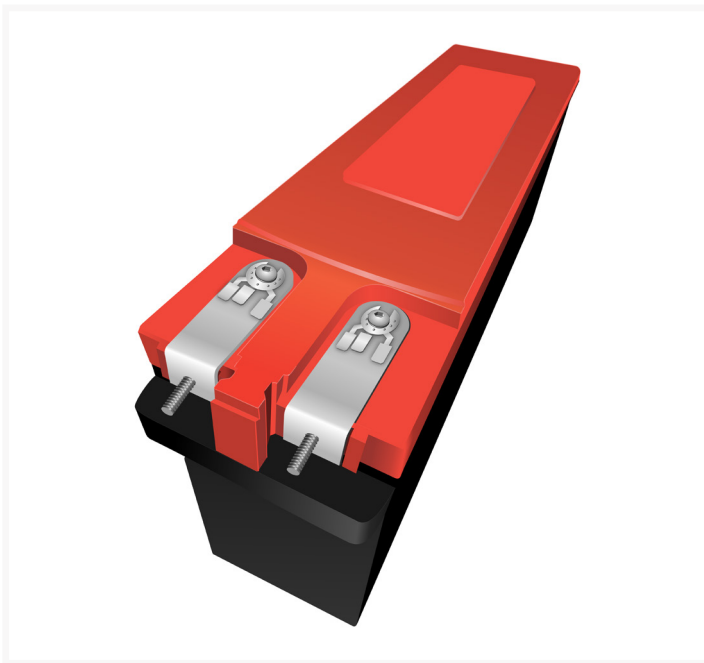


Fig. 3

STEP 3

Screw/fasten the hardware back to the battery posts and tighten it with a torque wrench.

NOTE: It is not necessary to remove the break-away portion of the washer. This option is primarily intended for existing builds (Retro Fit). The tabs can be bent to accommodate the sensor easier. Try to be consistent with the placement of the tabs during installation. Also be consistent with the sensor installation. It is recommended to use the middle tab unless two cables will be connected to a single tab.

Instructions for flooded cells - VLA

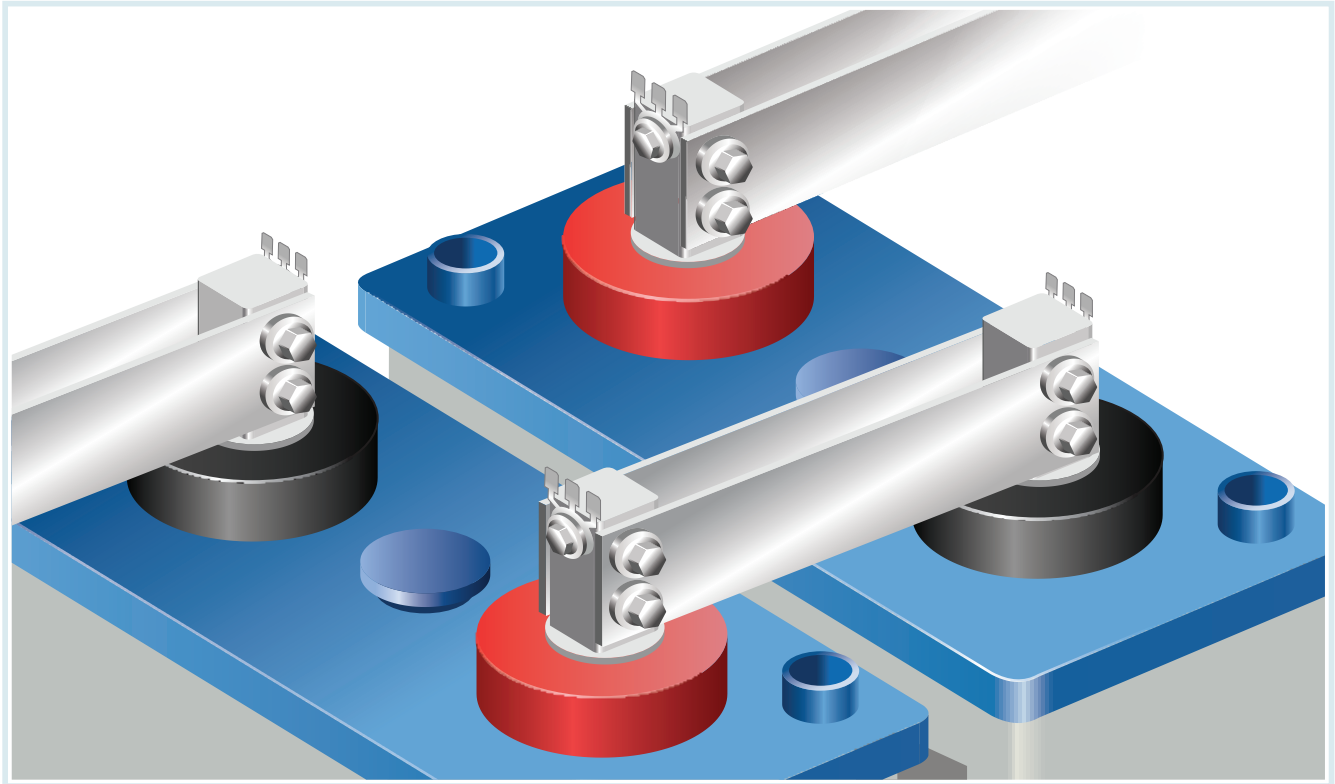


Fig. 4

- 1 Remove the fastening hardware from the battery posts.
- 2 Install Emsys Tabs with existing hardware (washer and screw).
- 3 Fasten the hardware and Emsys tab to the post, torque according to the manufacturer's recommendation.

NOTE: Installing tabs directly on the posts is the preferred method for sensors measuring strap resistance. The strap resistance measurement will include post-to-strap connection resistance.

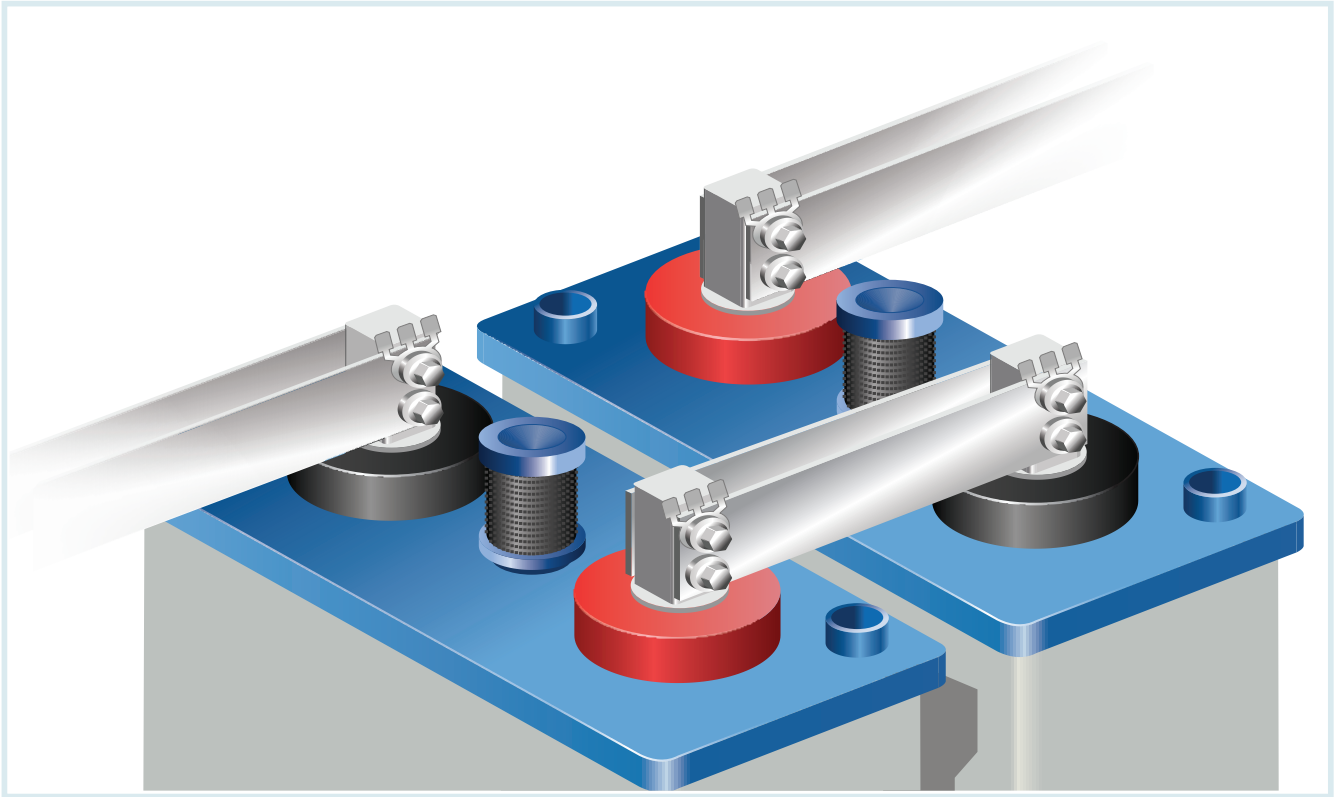


Fig. 5

NOTE: DO NOT install tabs in between the post and the strap. For batteries that do not allow for direct installation of the tabs to the posts, install the tabs on the strap/intercell connector. In this case, the battery resistance will include post-to-strap connection resistance. Be consistent with where you install tabs to avoid variations in resistance measurements.

Support and Troubleshooting

If you encounter any problems that you cannot address on your own after reviewing this guide, feel free to contact EMSYS Design, LLC at any time:

Email: support@emsys-design.com

Phone: (+1) 858-492 72 40 ext. 3

Web: www.emsys-design.com

EMSYS

IoT Based Solutions



90 Carr 165, Suite 405
Guaynabo, PR 00968

+1-858-492-7240
info@emsys-design.com