

Standard Rack Assembly Instructions

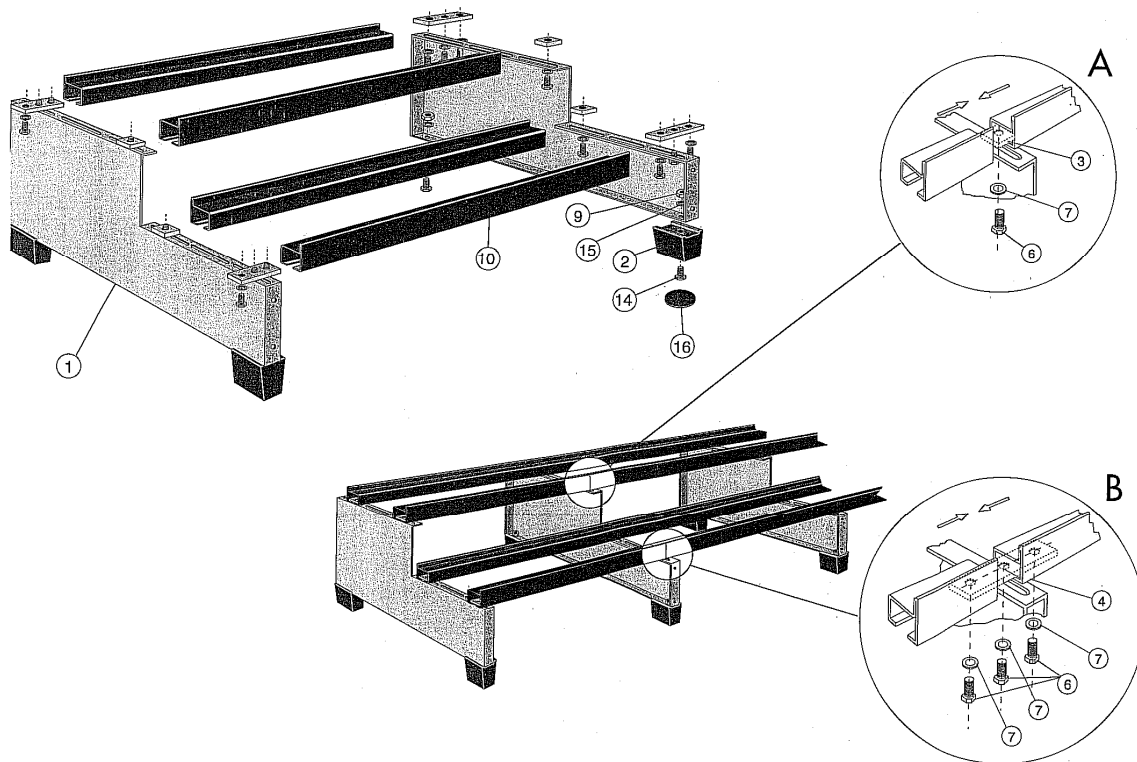
Tools Required:

- ✓ 13mm wrench
- ✓ level

For: 1-Step, 2-Step, 3-Step, 4-Step & 2-Row Racks

For rack assembly we recommend the following sequence:

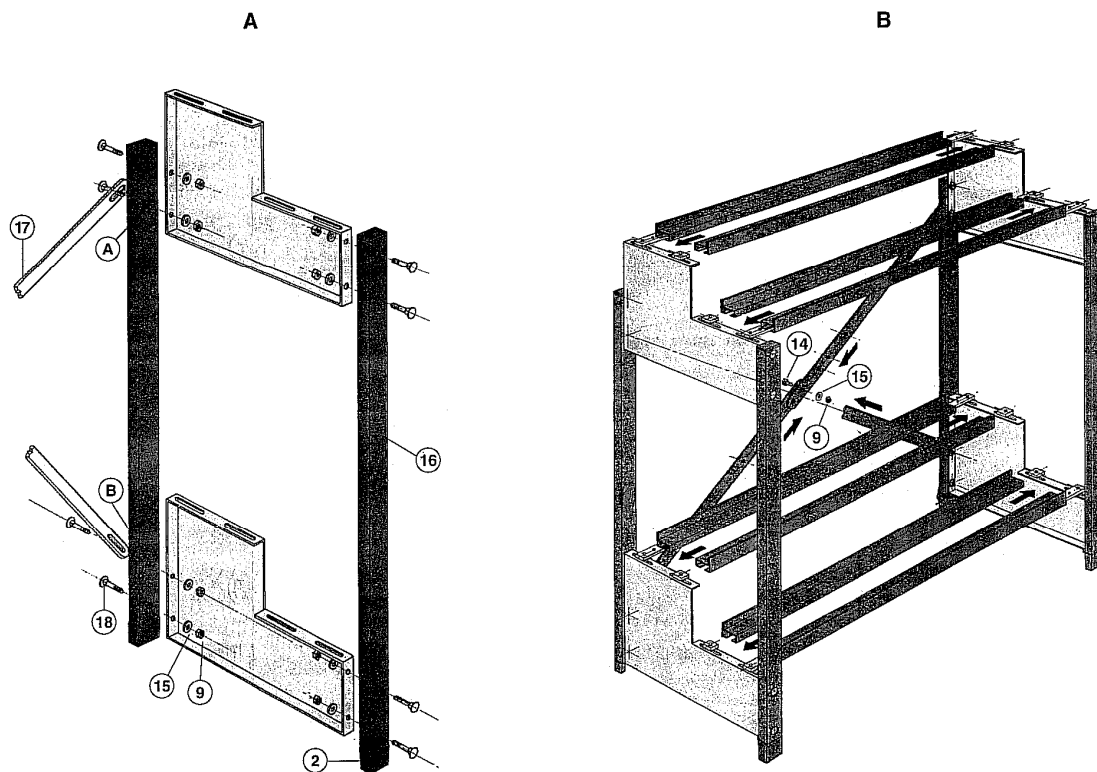
- 1) Mount and fasten insulators (2) under each support (1).
- 2) Insert bolts (6) into washers (7) and upper slots of a support (1) than screw into anchor plates (3) **or** connection plates (4). Do the same with the other support(s) (1) – see detail A and B.
- 3) Attach insulated rails to support(s) (1). Space according to required width.
- 4) Tighten all bolts.



For: 2-Tier, 2-Step/2-Tier, 3-Step/2-Tier & 2-Row/2-Tier Racks

For rack assembly we recommend the following sequence:

- 1) Bolt supports and uprights (16) together using bolt (18), washer (15) and nut (9).
- 2) Fix braces (17) in position A and B as shown in below picture.
- 3) Tighten all nuts and bolts, except the braces.
- 4) Stand assembly as shown.
- 5) Insert bolts (6) into washers (7) and upper slots of a support (1) than screw into anchor plates (3) **or** connection plates (4). Do the same with the other support(s) (1) – see detail A and B.
- 6) Attach insulated rails to support(s) (1). Space according to required width.
- 7) Tighten all bolts.
- 8) Level out stand using shims where necessary.
- 9) Bring braces (17) in place and tighten.



| Packing List | | p/n 1002 |
|--------------|---------------|--------------|
| Dwg# | Name | qty. per box |
| 16 - | upright | 2 |
| 17 - | brace | 2 |
| 18 - | bolt M8x50 | 8 |
| 9 - | nut M8 | 9 |
| 15 - | washer 8.5x17 | 10 |
| 14 - | bolt M8x20 | 1 |

| Rail Packing List | | | | | | |
|-------------------|--------------|------------|---------------|--------------|-------------|--------------|
| Part# | Length (in.) | # of rails | Anchor Plates | conn. Plates | bolts M8x16 | washers 9x28 |
| 604 | 23.5 | 4 | 4 | 4 | 16 | 16 |
| 754 | 29.5 | 4 | 4 | 4 | 16 | 16 |
| 900 | 35.5 | 4 | 4 | 4 | 16 | 16 |
| 1200 | 47 | 4 | 4 | 4 | 16 | 16 |
| 1500 | 59 | 4 | 4 | 4 | 16 | 16 |

| Support Packing List | Part# | | | | | |
|----------------------|-----------------|-------------------|----------------------|----------------------|------|---|
| | PGL1 PGS1 | PGL2 PGS2 | SGL2 SGS2 SGT2 | PLG3 SGL3 SGS3 | SGL4 | |
| Dwg# | Name | Quantity per pack | | | | |
| 1 | - support* | 2 | 2 | 2 | 2 | 2 |
| 2 | - insulator | 4 | 4 | 4 | 4 | 4 |
| 14 | - bolt M8x20 | 4 | 4 | 4 | 4 | 4 |
| 9 | - M8 nut | 4 | 4 | 4 | 4 | 4 |
| 15 | - washer 8.5x17 | 4 | 4 | 4 | 4 | 4 |
| 16 | - shim | 4 | 4 | 4 | 4 | 4 |

*Support: 2 pieces, each pack = Left + Right

Notes:

- ✓ Handle with care!
- ✓ In case of insulated rail coating damage, repair immediately

Please contact SBS at (800) 554-2243 with any questions.