

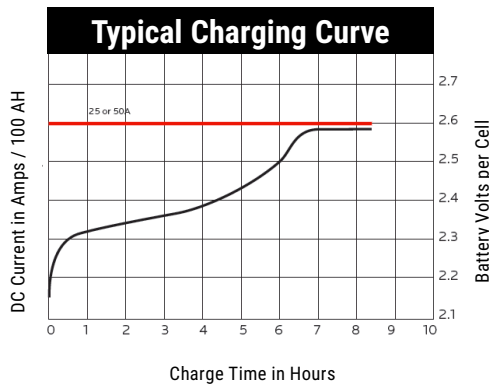
# Constant Current Battery Chargers

25 or 50 Amp Output Models



## Features

- Models available in 1 to 48 V or 18 to 80 V CHV
- Ferroresonant constant current charge available in 25 amp or 50 amp output models
- Fully-integrated microprocessor control for dv/dt or elapsed time termination (Elapsed time selectable for 8, 12, 18 or 24 hours)
- Charge over-discharged and sulfated batteries
- Auto start with five second delay
- Multi color LEDs indicating charging status and fault shutdown
- Red push button for manual shutdown
- Manual elapsed timer button
- Supplied with seven foot AC line cord with 20 amp 120 V plug (Hard wired on HV models only, 208, 240 or 480)
- Eight foot long output cables with dual connectors (SB175 and SB350)



## Automatic Shutdown for the Following Conditions

- Maximum or minimum cells are too high or too low
- Charging current is too low
- Battery cable is disconnected while charging
- Elapsed time timer expired
- **CAUTION:** DISCONNECTING THE BATTERY FROM THE CHARGER DURING THE CHARGE CYCLE WITHOUT MANUALLY STOPPING THE CHARGER CAN CAUSE DAMAGE TO BOTH OPERATORS AND EQUIPMENT AND VOID THE WARRANTY

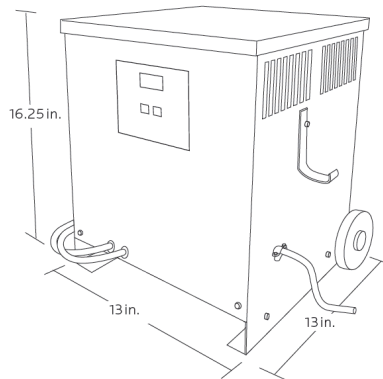
## Product Safety

- UL Listed
- UL Listed to Canadian Safety Standards

## Warranty Details

- See warranty certificate for information

## 25 Amp



## 50 Amp

