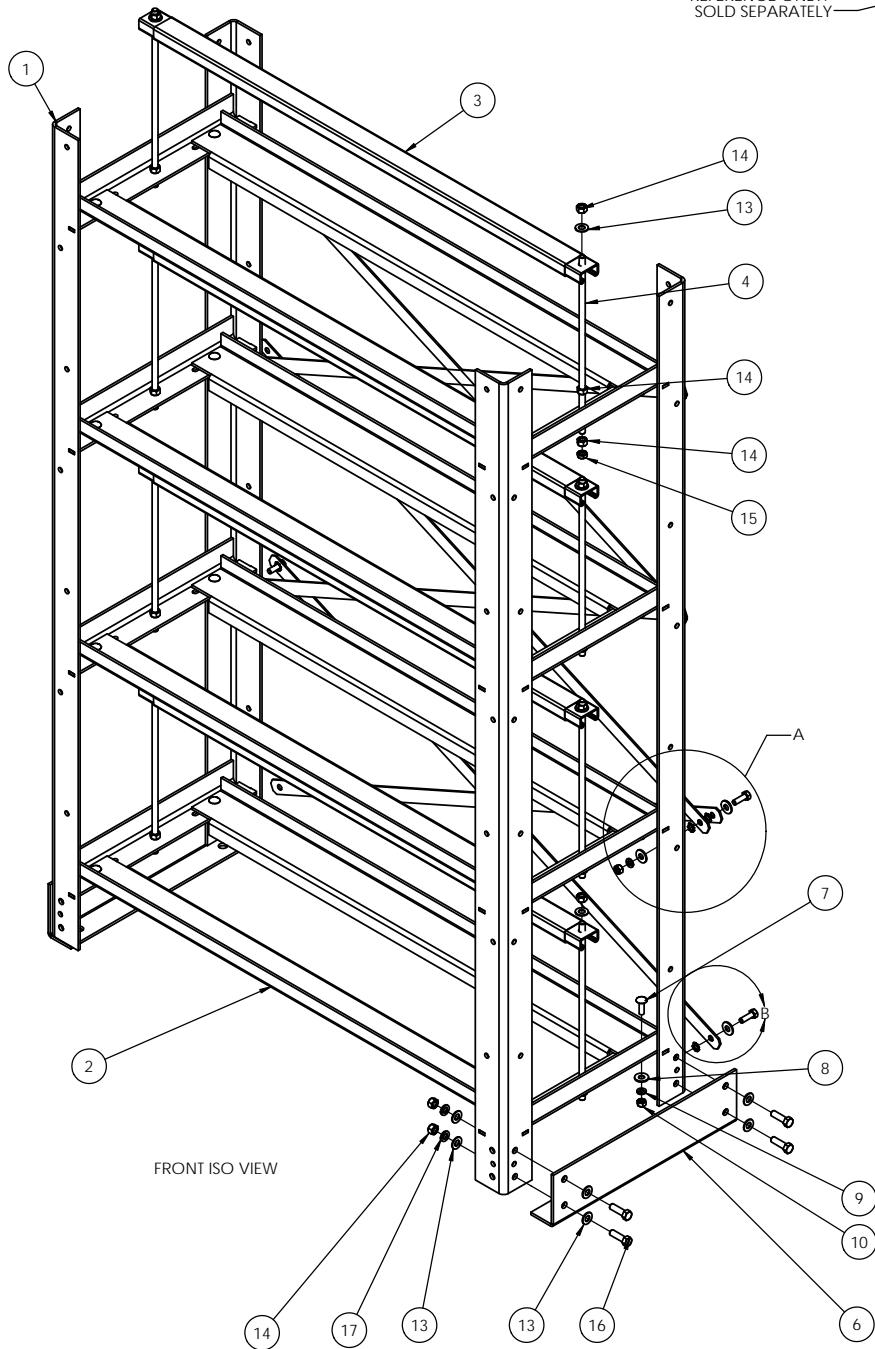


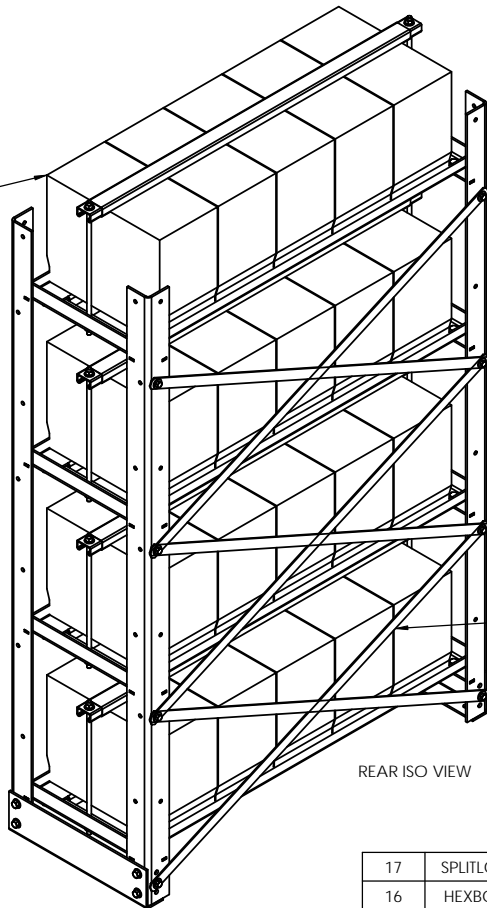
- NOTES:
 1. MATERIAL:SEE BOM
 2. FINISH: N/A
 3. PART IS TO BE CLEAN AND FREE OF GREASE, DIRT, OIL, AND ALL OTHER CONTAMINANTS.

REVISIONS			
REV.	DESCRIPTION	DATE	APPROVED
A	INITIAL RELEASE	7/21/2009	RNA

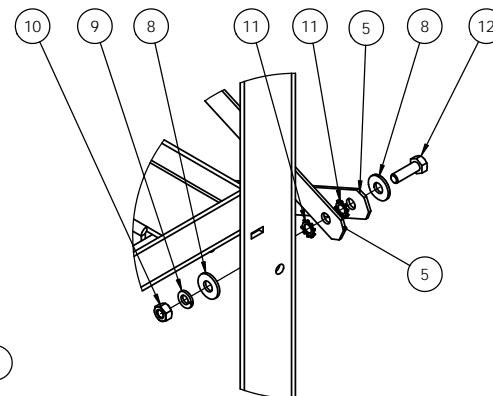
BATTERIES SHOWN FOR REFERENCE ONLY. SOLD SEPARATELY.



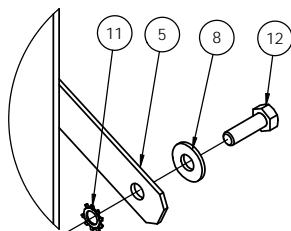
FRONT ISO VIEW



REAR ISO VIEW



DETAIL A
SCALE 1 : 3

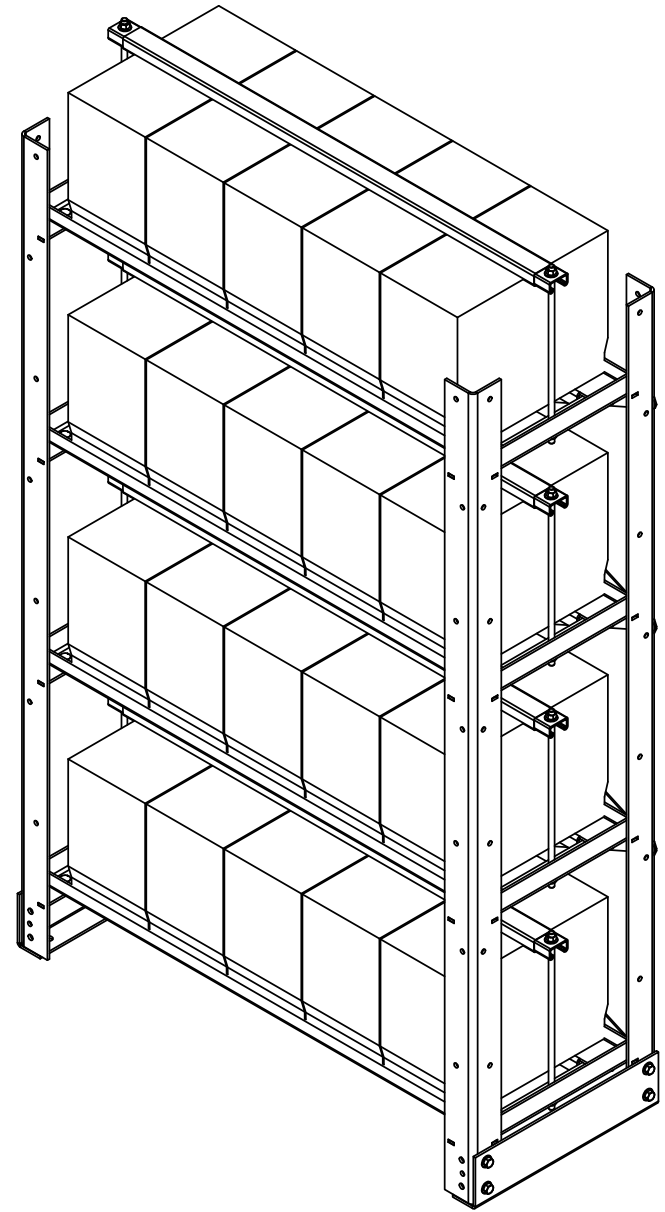
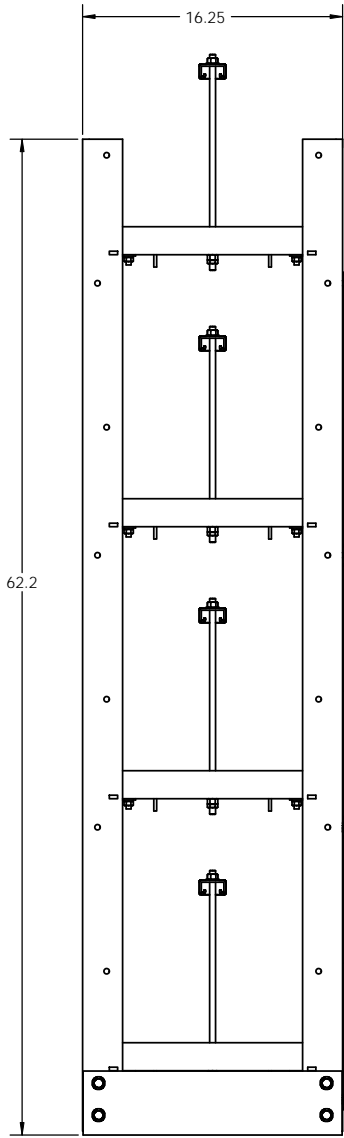
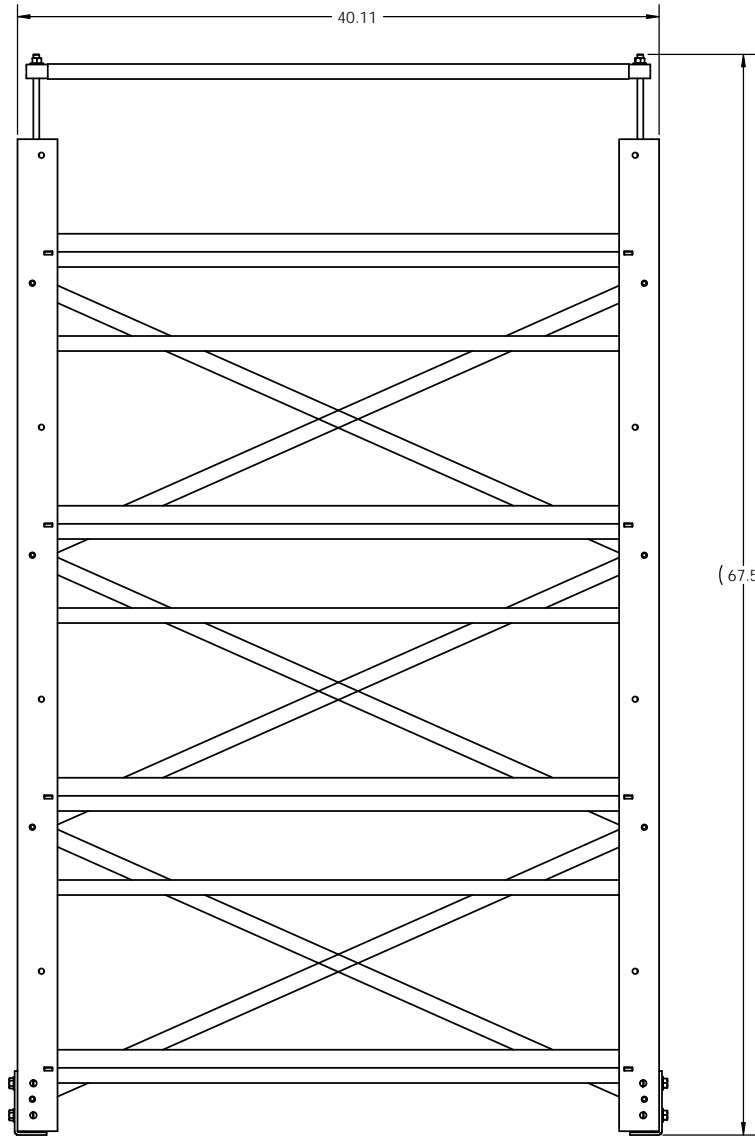


DETAIL B
SCALE 1 : 2

ITEM NO.	PART NUMBER	DESCRIPTION	Default/ QTY
17	SPLITLOCKWASHER3/8ZINC	3/8" LOCK WASHER, Z.P.	8
16	HEXBOLT3/8-16X1-1/4ZINC	HBOLT 0.3750-16x1-1/4", Z.P.	8
15	HEXJAMNUT3/8-16ZINC	HEX JAM NUT, 3/8-16, ZINC	8
14	HEXNUT3/8-16ZINC	HEX NUT, 3/8-16, ZINC	32
13	FLATWASHER3/8ZINC	3/8" FLAT WASHER, Z.P.	24
12	HEXBOLTS5/16-18X1ZINC	HEX BOLT, 5/16-18 X 1.0, ZINC	8
11	EXTTOOTHWASHER.312ZINC	EXTERNAL TOOTH WASHER, 5/16, ZINC	6
10	HEXNUTS5/16-18ZINC	NUT, HEX, 5/16-18 ZINC	24
9	SPLITLOCKWASHERS5/16ZINC	WASHER, SPLIT LOCK, 5/16 ZC	24
8	FLATWASHER3/8ZINC	WASHER, FLAT, .312, ZC	32
7	CARRIAGEBOLT5/16-18X1ZINC	CARRIAGE BOLT, 5/16-18 X 1.0, ZC	16
6	BRC-000900	FEET, BRACE, OPEN FRAME RACKS	2
5	BRC-000800	BRACE, BATTERY RACK, 5 WIDE	6
4	BRC-000500	BRACE, BATT. HOLD DOWNS	8
3	RST-000703	HOLD DOWN, BATT., 5-WD.WITH SHRINK	4
2	BTR-000203	BATTERY RAILS, 5 WIDE	8
1	FRM-006500	FRAME, 4 TIER,	2

UNLESS OTHERWISE SPECIFIED			
DIMENSIONS ARE IN INCHES			
TOLERANCES:			
ANGULAR: MACH ± .5 BEND ± 1			
TWO PLACE DECIMAL ± .01			
THREE PLACE DECIMAL ± .005			
PROJECTION:	ASME Y14.5	DRAWN:	RNA
CHECKED:		NAME:	
DATE:	07-24-09	DATE:	
TITLE:	BATTERY RACK, 4 TIER/5 WIDE OPEN FRAME		
SIZE:	DWG. NO.	REV	
C	R4T5	A	
SCALE:	1:8	WEIGHT:	
SHEET	1 OF 2		

USED ON



UNLESS OTHERWISE SPECIFIED:					
DIMENSIONS ARE IN INCHES					
TOLERANCES:					
ANGULAR: MACH ± .5 BEND ± 1					
TWO PLACE DECIMAL ± .01					
THREE PLACE DECIMAL ± .005					
PROJECTION:	①	DRAWN:	RNA	DATE:	07-24-09
MATERIAL:		CHECKED:		TITLE: BATTERY RACK, 4 TIER/5 WIDE OPEN FRAME	
FINISH:	SEE NOTE 1	ENG APPR:		SIZE:	DWG. NO.
	SEE NOTE 2	MFG APPR:		C	R4T5
USED ON:		Q.A.		SCALE: 1:8	WEIGHT:
	DO NOT SCALE DRAWING				SHEET 2 OF 2